

General:

The Svenska Bearing intermediate shaft bearing has a modern short bearing shell design. It is self-lubricated, made of quality cast iron and has normally a centrifugally cast white metal layer on lead base.

As standard it is equipped with cylindrical bearing shells.

On request it can be supplied with spherical bearing shells.

Execution:

Svenska Bearing intermediate shaft bearings can be supplied with following parts: "Standard" and "Options"

Standard:

- Local thermometer in lower bearing shell
- Oil level gauge

Options:

- Temperature sensor Pt-100 in lower bearing shell
- Water cooler
- Hydrostatic support for the case of very slow shaft rpm.
- Tin-based white metal

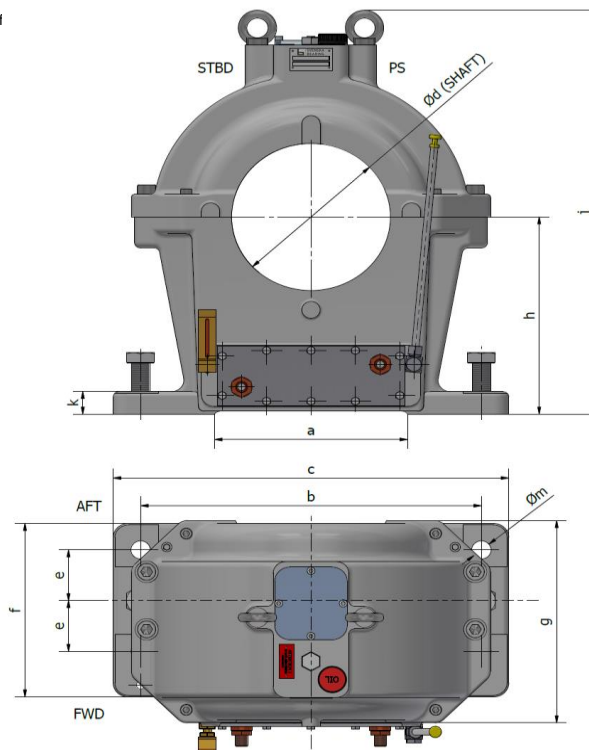
In this case an external oil supply unit with electric pumps and an oil cooler is needed.

Calculations:

As special service we do offer to calculate the bearing operating data.

This require us to have following data:

- Min and Max shaft rpm
- Radial load in tons or kN



Shaft Ø

Size	dmin	dmax	a	b	c	e	f	g	h	j	k	l	m
180	140	180	177	450	510	70	230	276	260	544	30	100	4xØ26
220	181	220	237	490	550	80	254	296	280	585	35	116	4xØ26
260	221	260	276	540	610	90	275	317	315	662	40	138	4xØ32
300	261	300	317	560	650	90	308	350	350	717	40	160	4xØ32
350	301	350	367	625	705	118	331	377	375	767	45	188	4xØ32
400	351	400	407	700	780	120	355	396	410	827	60	216	4xØ38
460	401	460	477	775	855	140	390	435	440	896	60	246	4xØ38
520	461	520	538	880	970	150	426	471	470	961	70	281	4xØ45
580	521	580	537	945	1030	165	460	505	510	1026	70	316	4xØ45

All dimensions in mm
 l* = Bearing shell contact length